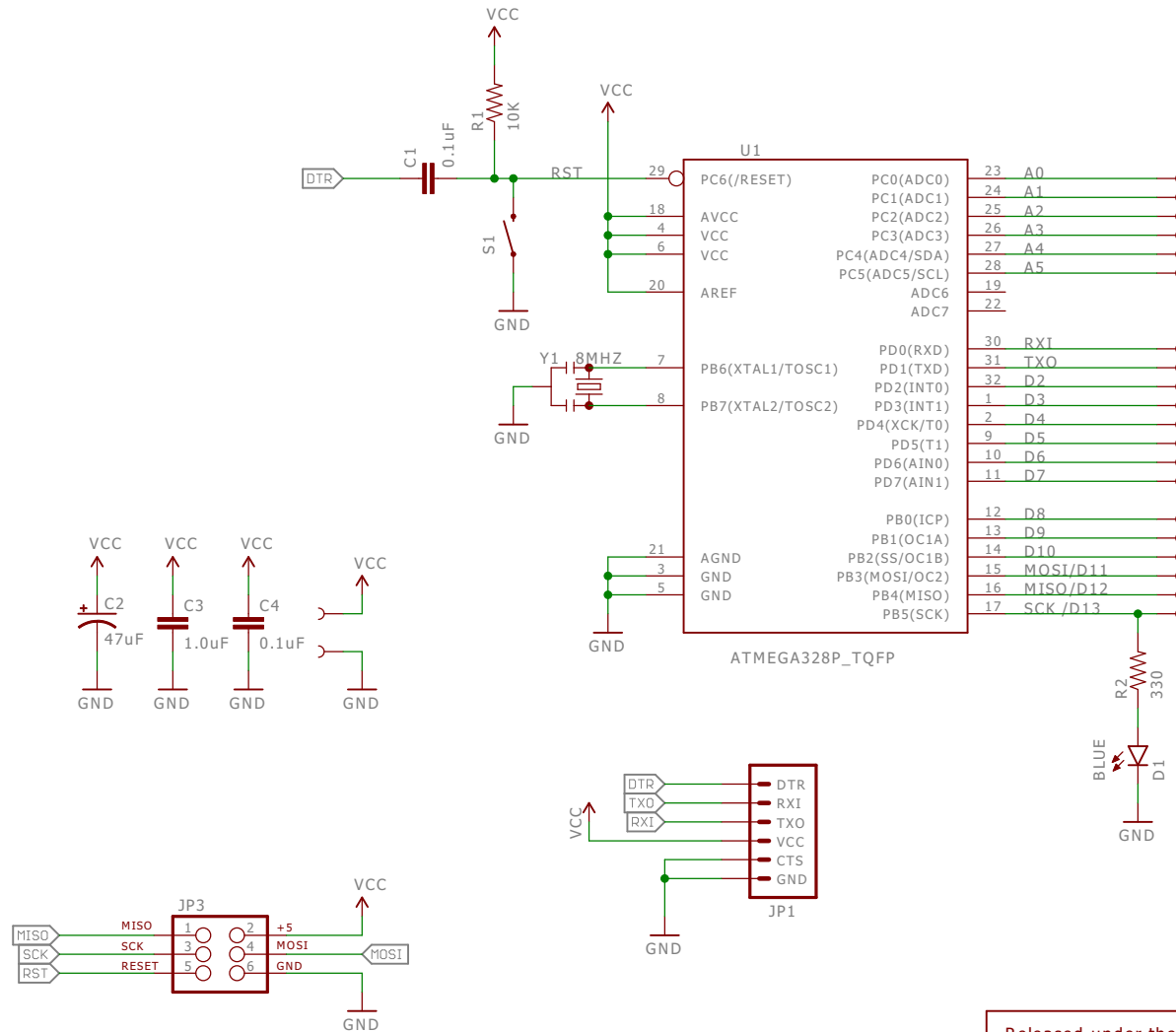


Operational voltage 2.7-5.5v
 Compatible with 3.3 or 5v FTDI
 (LilyPad FTDI is 5v)

DISCONNECT BATTERY BEFORE PLUGGING IN FTDI BOARD



Released under the Creative Commons Attribution Share-Alike 4.0 License
<https://creativecommons.org/licenses/by-sa/4.0/>

open hardware

TITLE: SparkFun_LilyPad_Main_Board_v2.1 LilyPad	
Design by: N. Seidle L. Buechley	REV: v21
Revision By: Dia Campbell	
Date: 12/17/2015 11:37 AM	Sheet: 1/1