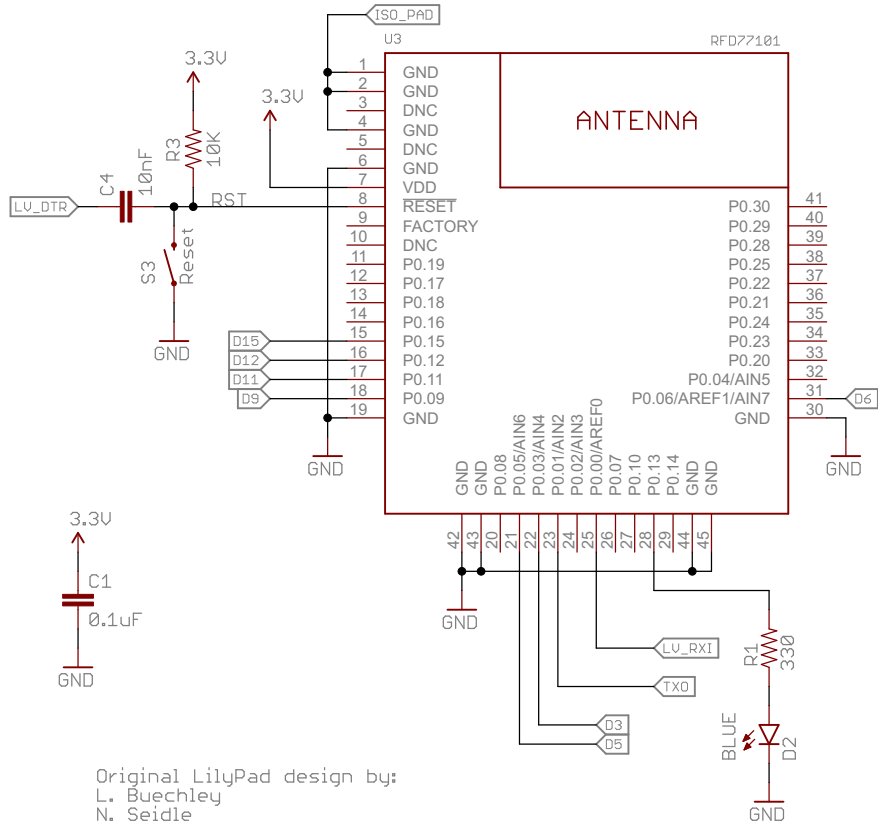
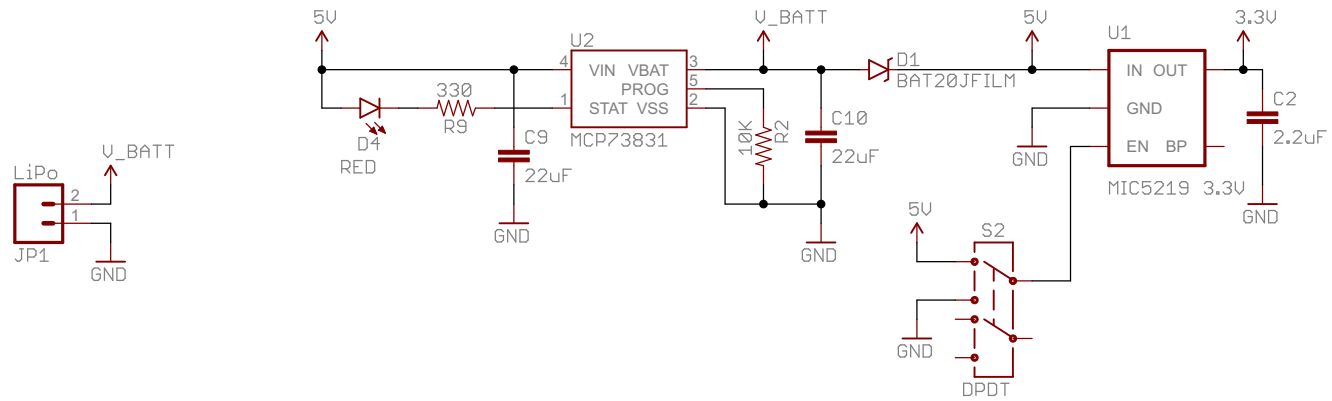
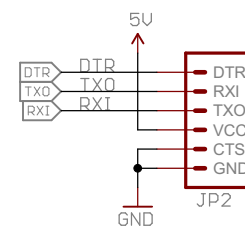


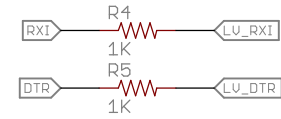
Power Supply and Charging



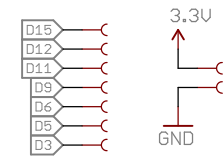
Module



Serial Communication



Seewatts



open hardware

Released under the Creative Commons Attribution Share-Alike 4.0 License
<https://creativecommons.org/licenses/by-sa/4.0/>

TITLE: LilyPad-Simblee_v12 LilyPad

Design by: Mike Hord REV: 12

Date: 12/4/2015 10:38:28 AM Sheet: 1/1

Original LilyPad design by:
 L. Buechley
 N. Seidle