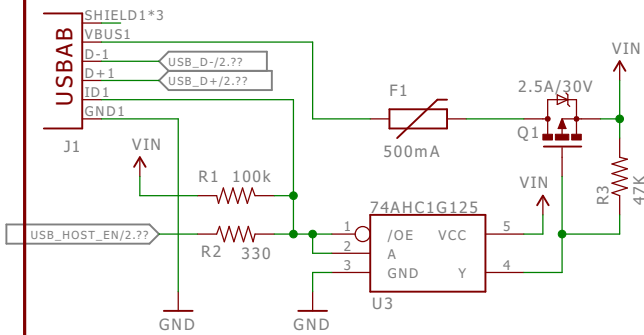
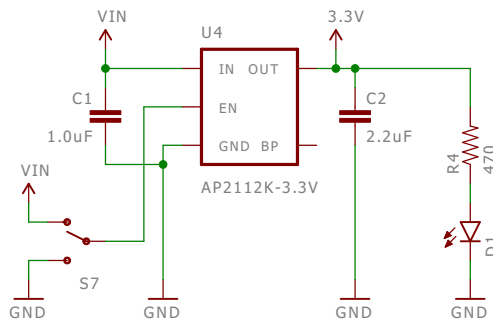


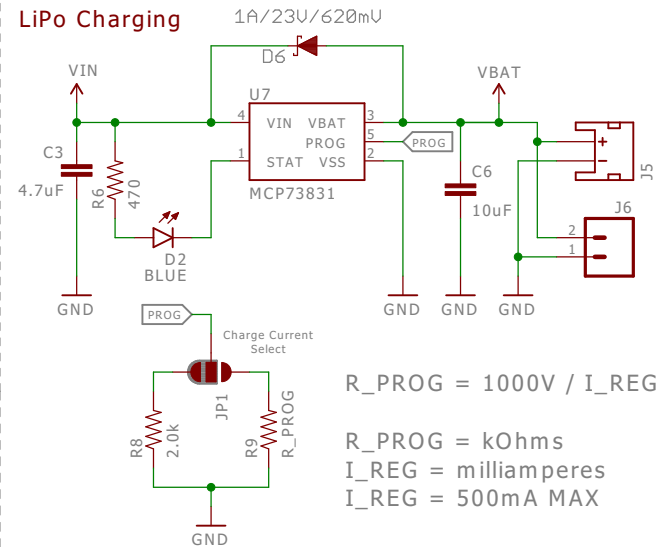
### USB



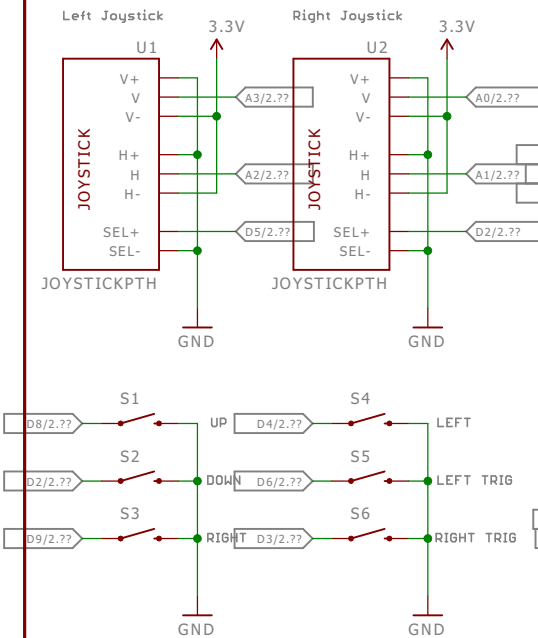
### Voltage Regulation



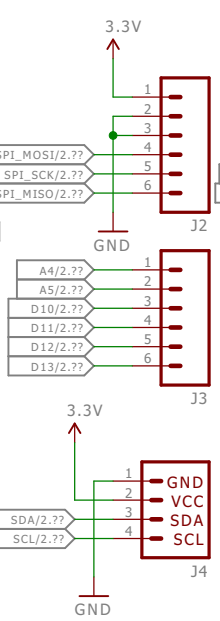
### LiPo Charging



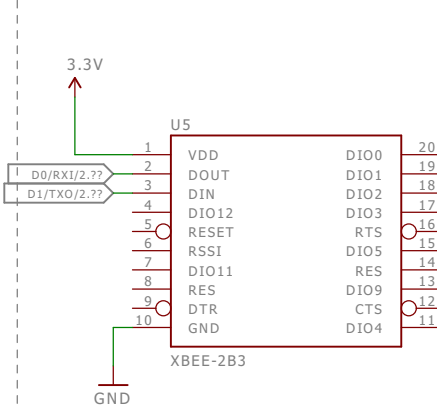
### User Interface



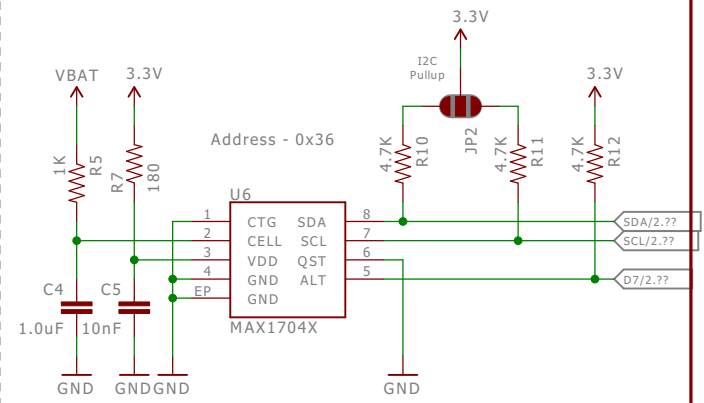
### IO Connections



### XBee Socket



### LiPo Fuel Gauge



Released under the Creative Commons

Attribution Share-Alike 4.0 License

<https://creativecommons.org/licenses/by-sa/4.0/>



TITLE: SparkFun\_Wireless\_JoyStick

Design by: Alex Wende

REV: v10

Date: 1/5/2017 11:47 AM

Sheet: 1/2