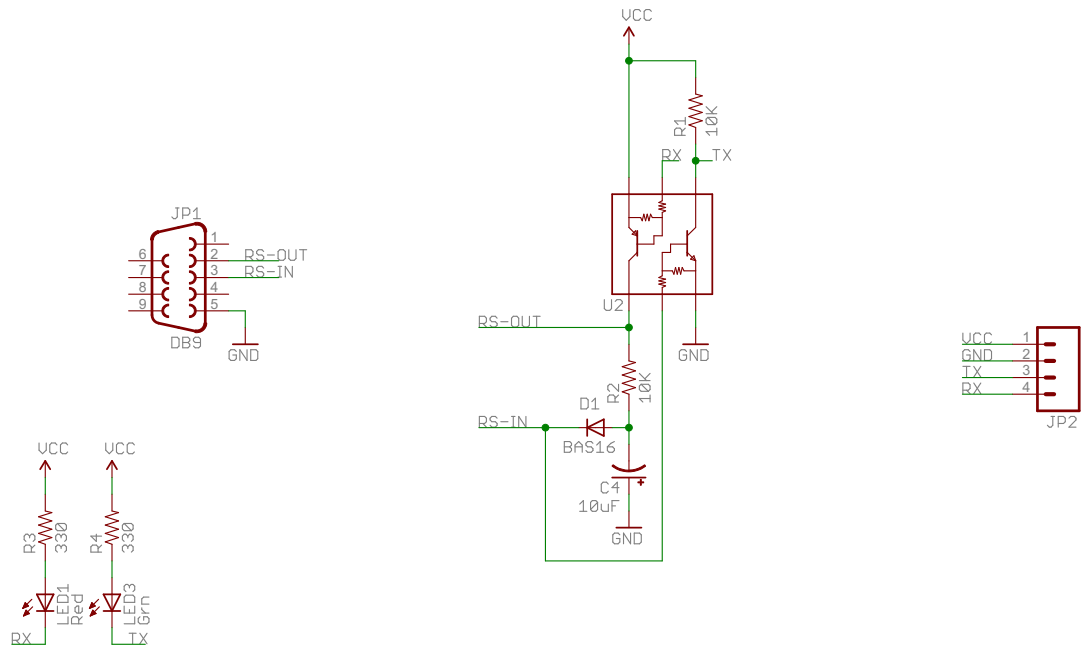


Changes to v16
Moved to SMD connector for DB9



Spark Fun Electronics		⊗ ⊗
TITLE: Shifter SMD v16		SFE
Document Number:	REV: 1	
Date: 1/9/2014 9:59:28 AM	Sheet: 1/1	