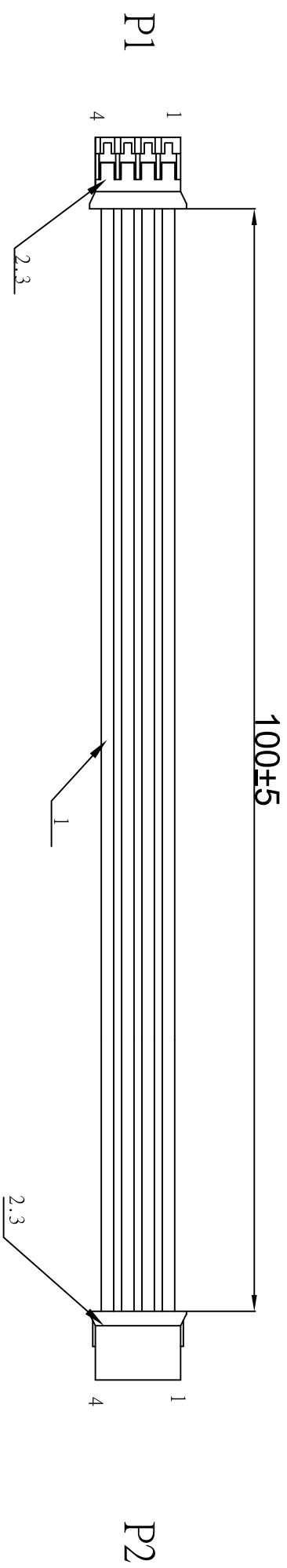


REV	ECRN	DATE
1	NEW PRODUCTION	20140820






接线表

P1	P2
1 — RED	1
2 — RED	2
3 — RED	3
4 — RED	4

- NOTES:
1. ELECTRICAL TEST: 100% OPEN, SHORT & MIS WIRE TEST.
  2. CONTACT RESISTANCE: 2 ohm,
  3. INSULATOR RESISTANCE: 5M ohm.
  4. HIGH VOLTAGE: DC 300V 0.01sec.
  5. MUST BE ROHS COMPLIANT.

NO.	PART NO	ITEM	DESCRIPTION	QTY	UNIT
③	E.0ZHI 5M.0300R	HOUSING	ZH1.5-04 WHITE	2	PCS
②	D.0ZHI 5F.1100R	TERMINAL	ZH1.5-T	8	PCS
①		CABLE	UL1571 26AWG(7/0.16TS) RED L=105MM	4	PCS

<b>ROHS COMPLIANT</b>			朋联电子有限公司 DongGuan Penglian Electronics Co., Ltd TEL: 076938835098/38835095 FAX: 076938835091
DRAWN BY	谢建军		
CHECKED BY			
APPROVED BY			
比例: FREE 单位: mm		 	TITLE: ZH1.5-4P TO ZH1.5-4P SUPPLIER'S ITEM: CUSTOMER'S ITEM: CUSTOMER'S ITEM:
DRAWING NO. WH-00044-00		DATE	2014.08.20