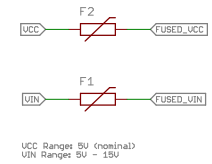
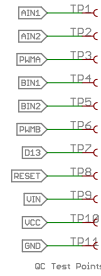
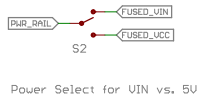


Arduino Shield



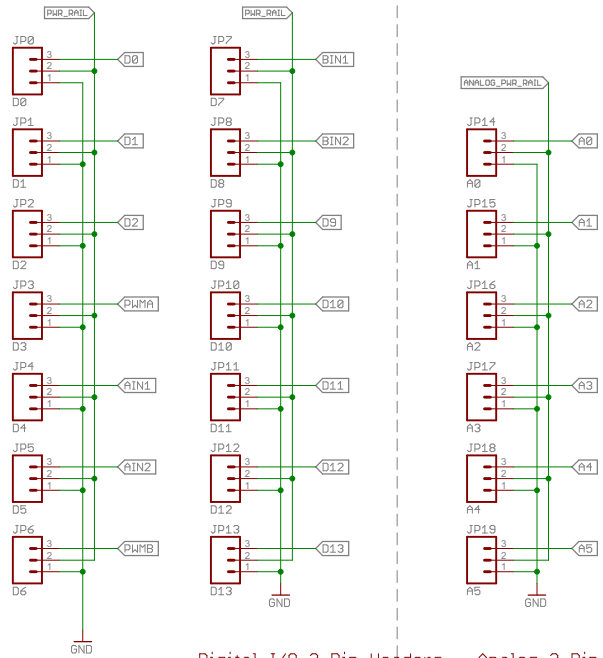
VCC Ranges 5V (nominal)
VIN Ranges 5V - 15V



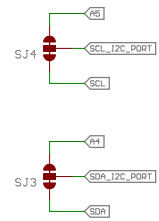
Power Select for VIN vs. 5V



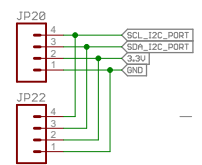
Power Select for VIN vs. 5V



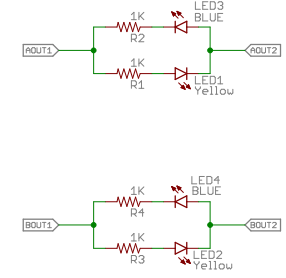
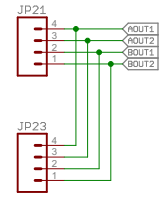
Digital I/O 3 Pin Headers Analog 3 Pin Headers



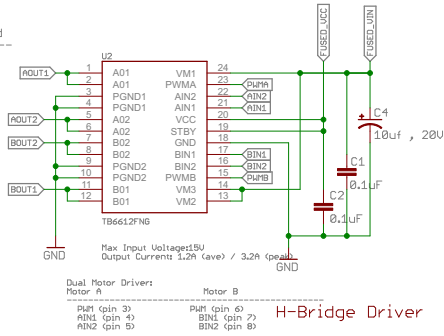
Jumpers to select between SCL / A5 and SDA / A4 pins on the new R3 footprint -- for Leonardo compatibility.



I2C Header



Motor Outputs



Dual Motor Drivers
Motor A: PH1 (pin 3), AIN1 (pin 4), AIN2 (pin 5)
Motor B: PH1 (pin 6), BIN1 (pin 7), BIN2 (pin 8)
H-Bridge Driver



Released under the Creative Commons Attribution Share-Alike 4.0 License <https://creativecommons.org/licenses/by-sa/4.0/>
 TITLE: ludusProtoShield_v11
 Design by: B. Huang REV: v11
 Date: 7/10/2015 3:03:12 PM Sheet: 1/1