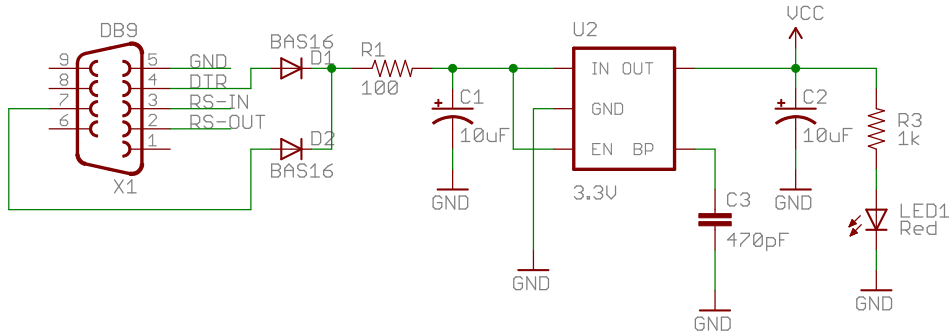
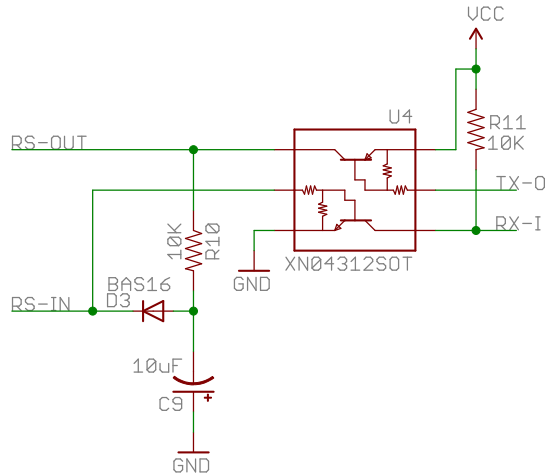


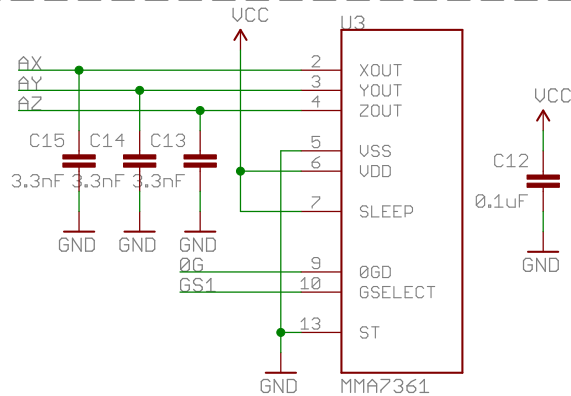
Power Conditioning



Level Shifting



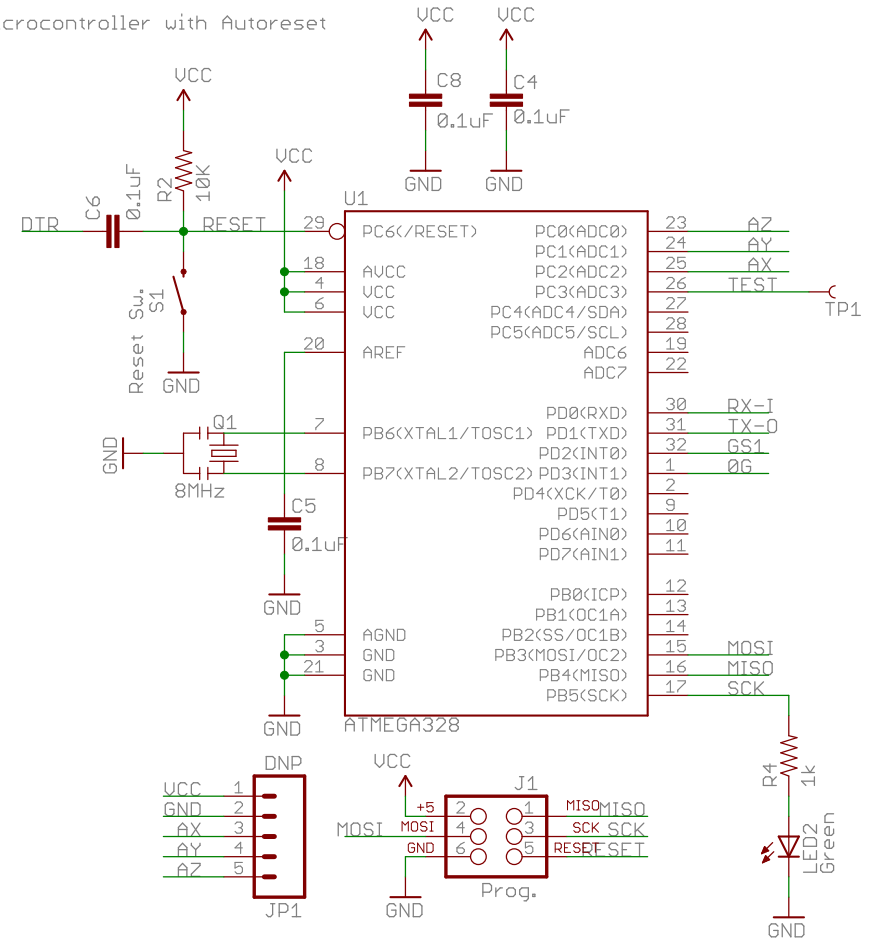
Accelerometer



Change Log

v21 Changes
 Update b511k to correct spelling
 Pulled Sleep Pin High
 Added indicator LEDs
 Added Øg interrupt pin
 Added Test Point to assist with test procedure

Microcontroller with Autoreset



TITLE: Serial Accelerometer Dongle v21		SFE
Document Number:		REV:
Date: 6/20/2011 11:59:24 AM		Sheet: 1/1