

# LIS3DH Breakout

## MODES:

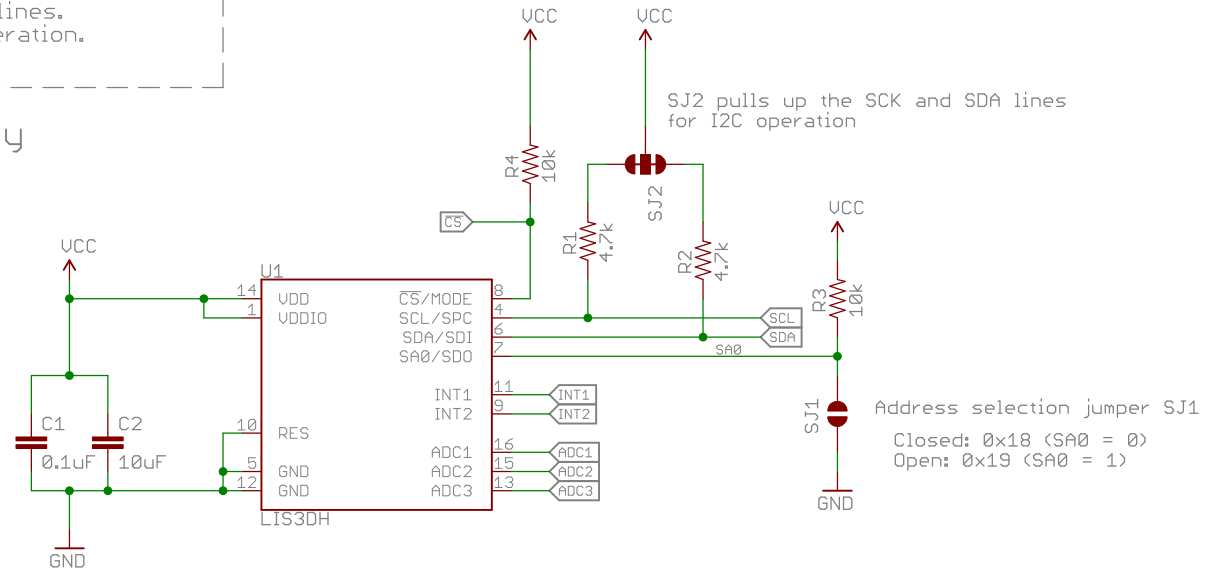
### I2C:

Leave the copper-connected jumper SJ2 as default, use SJ1 to set the I2C address between 0x18 and 0x19. SJ1 is the LSB of the address.

### SPI 4-WIRE:

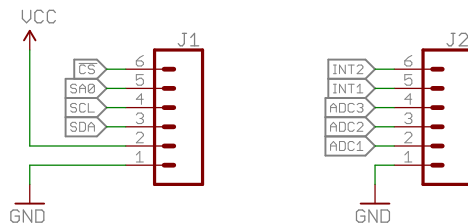
Jumpers SJ2 can be opened to remove 4.7k load on the SPI lines. SJ1 must be open for SPI operation.

## Accelerometer Circuitry



## User Ports

Apply regulated 1.8-3.3V to UCC



Released under the Creative Commons Attribution Share-Alike 4.0 License   
<https://creativecommons.org/licenses/by-sa/4.0/>

TITLE: SparkFun\_LIS3DH-Breakout

Design by: Marshall Taylor

REV:  
v10

Date: 8/18/2016 3:49 PM

Sheet: 1/1