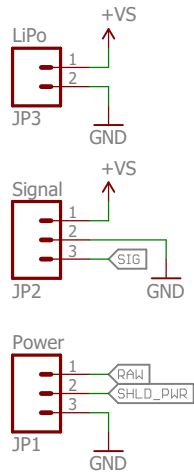
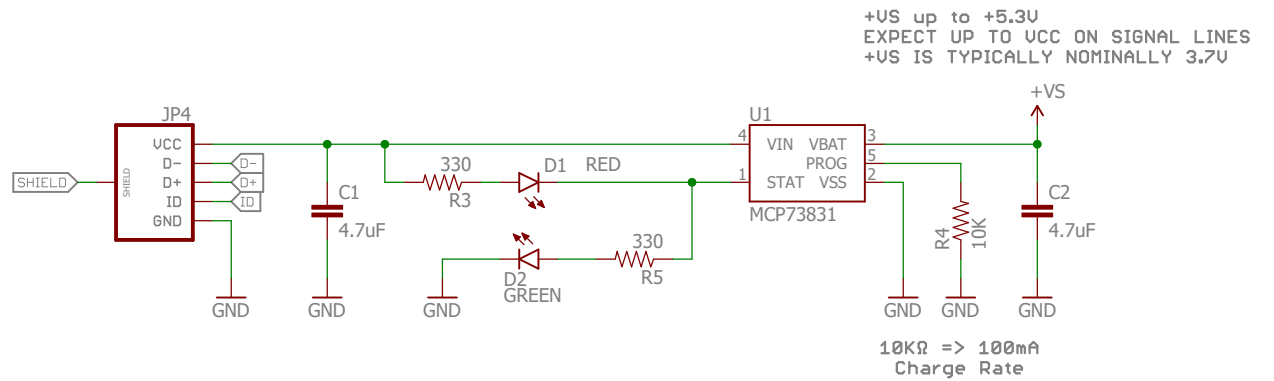


PTH CONNECTIONS

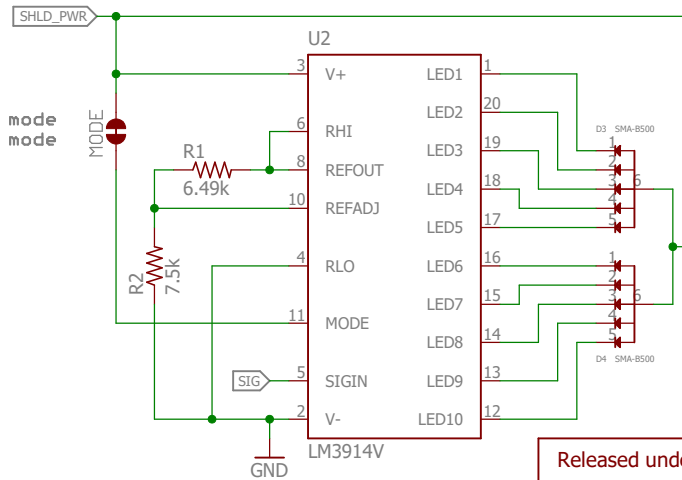


BATTERY CHARGER



LED CONTROL

MODE wired directly to U+ pin for bar graph mode
Open SJ1 to turn board into dot mode



Released under the Creative Commons Attribution Share-Alike 4.0 License
<https://creativecommons.org/licenses/by-sa/4.0/>

TITLE: MyoWare_LED_Shield

Design by: Brian E Kaminski of Advancer Technologies
 Revised by: Brent Wilkins

REV:
v10

Date: 3/9/2016 12:15 PM

Sheet: 1/1