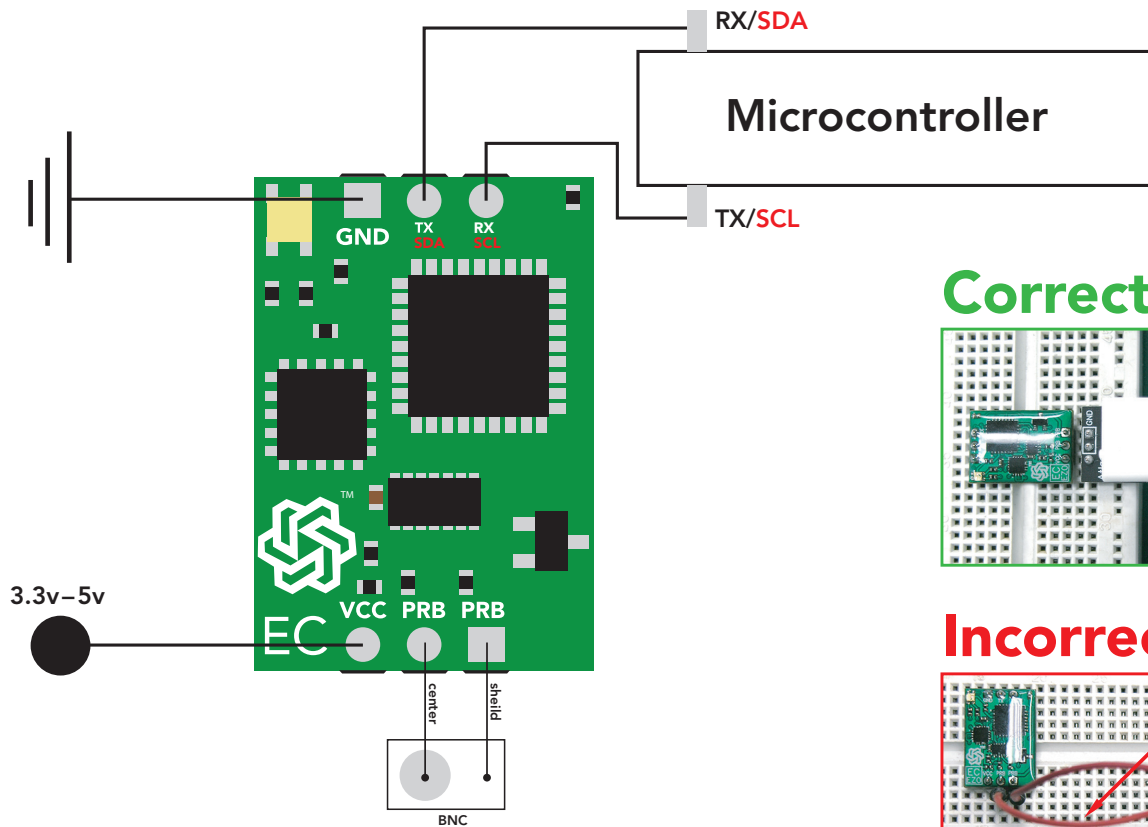


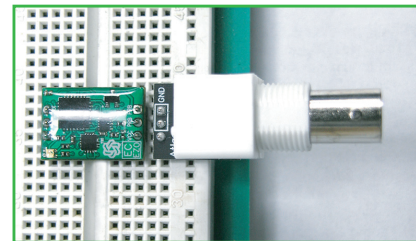


Wiring diagram for the EZO™ Conductivity Circuit

- To connect the Circuit to your microcontroller, follow the diagram below.
- The BNC shield can be connected to any ground line.
- Make sure your Circuit and microcontroller share a common ground.
- TX on your Circuit connects to RX on your microcontroller.
- *If in I²C mode connect SDA to SDA and SCL to SCL*
- **4.7k pull up resistor on SDA and SCL may be required*



Correct



Incorrect

