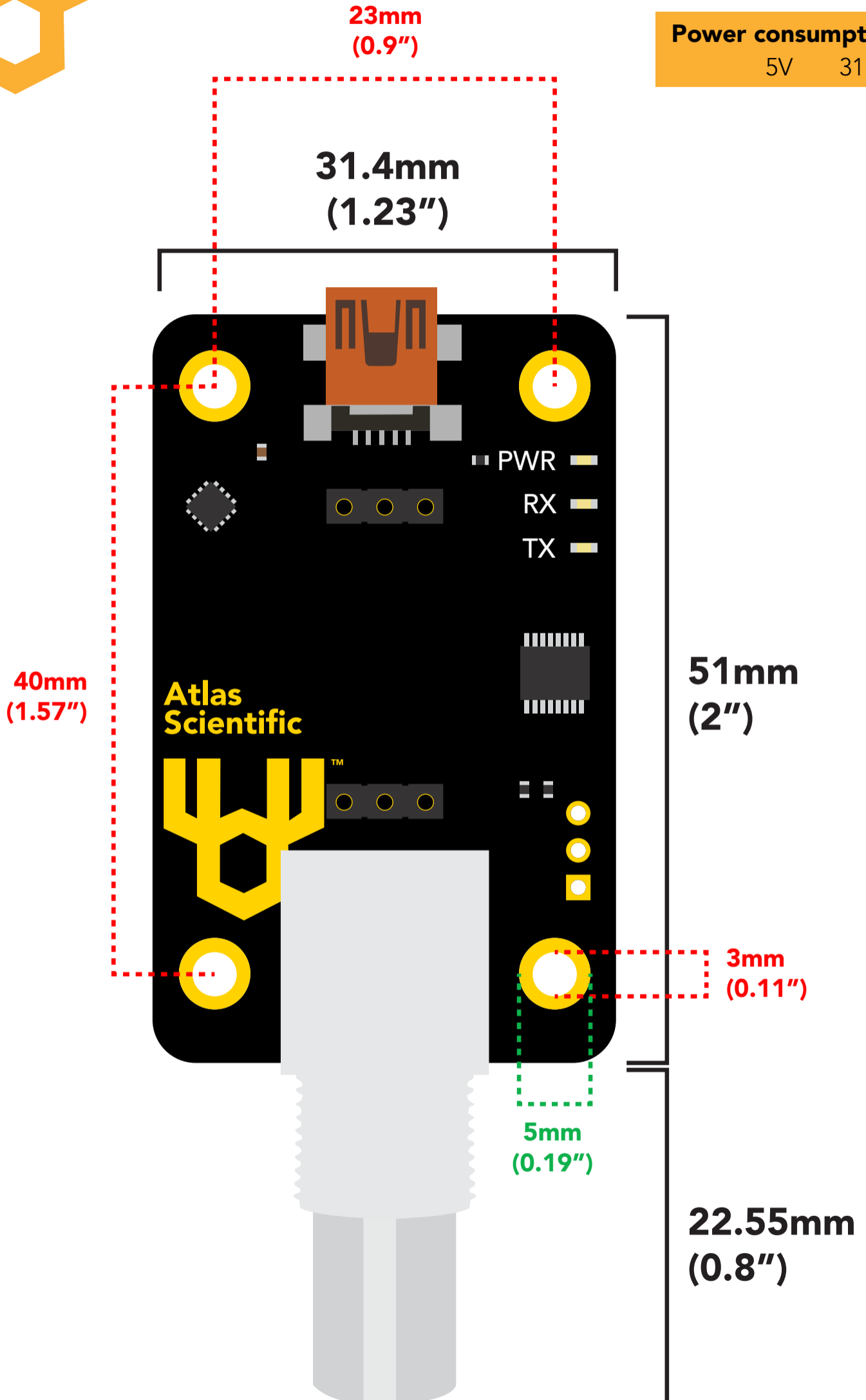


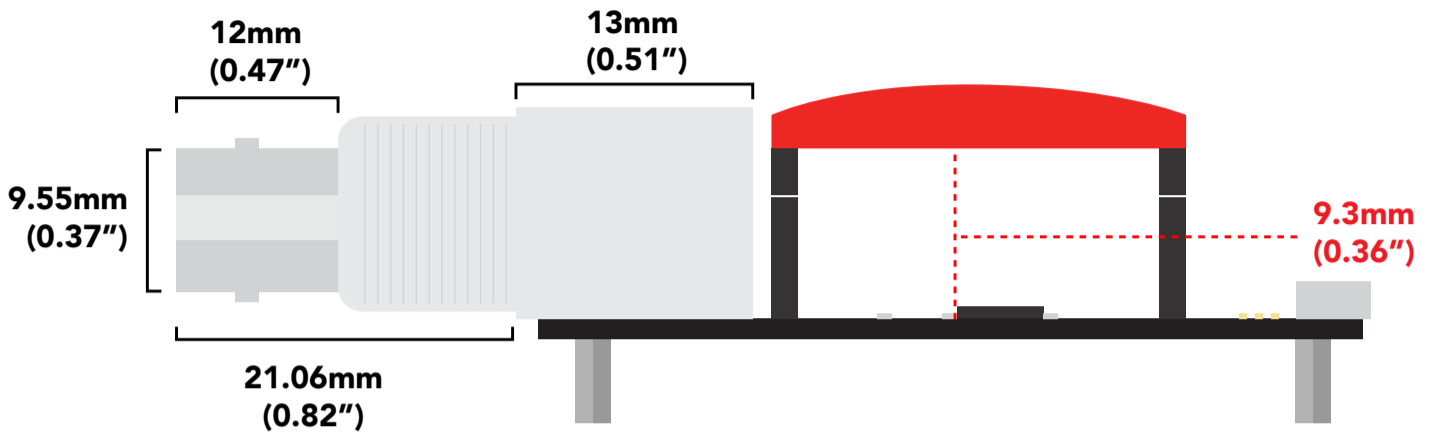
Electrically Isolated USB EZO™ Carrier Board

Power consumption

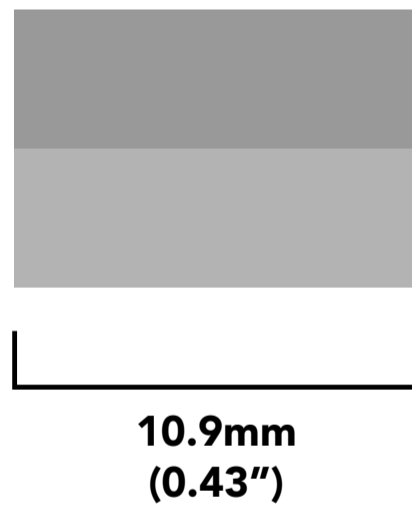
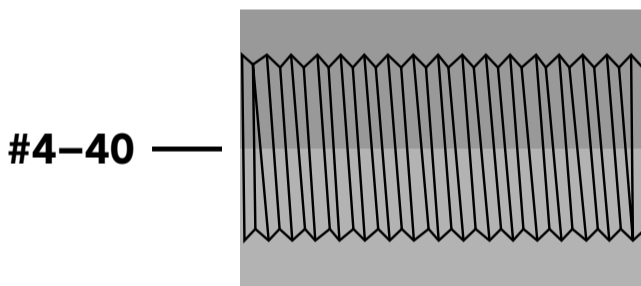
5V 31mA



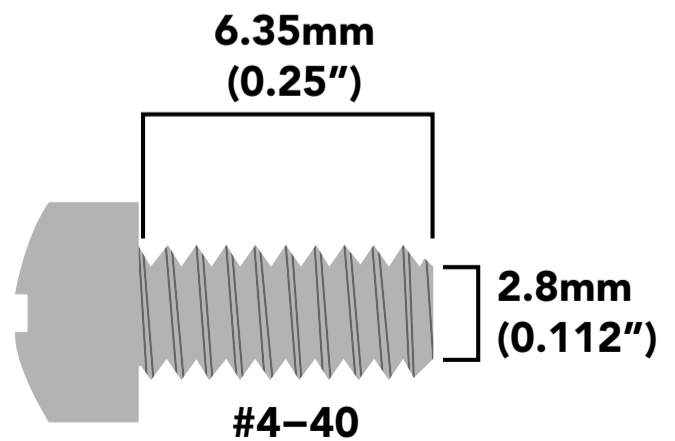
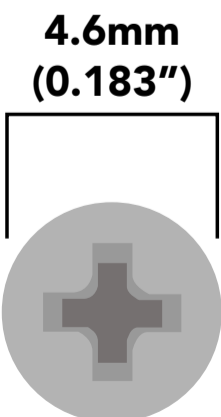
Electrically Isolated USB EZO™ Carrier Board

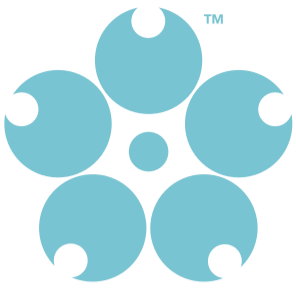


Standoff

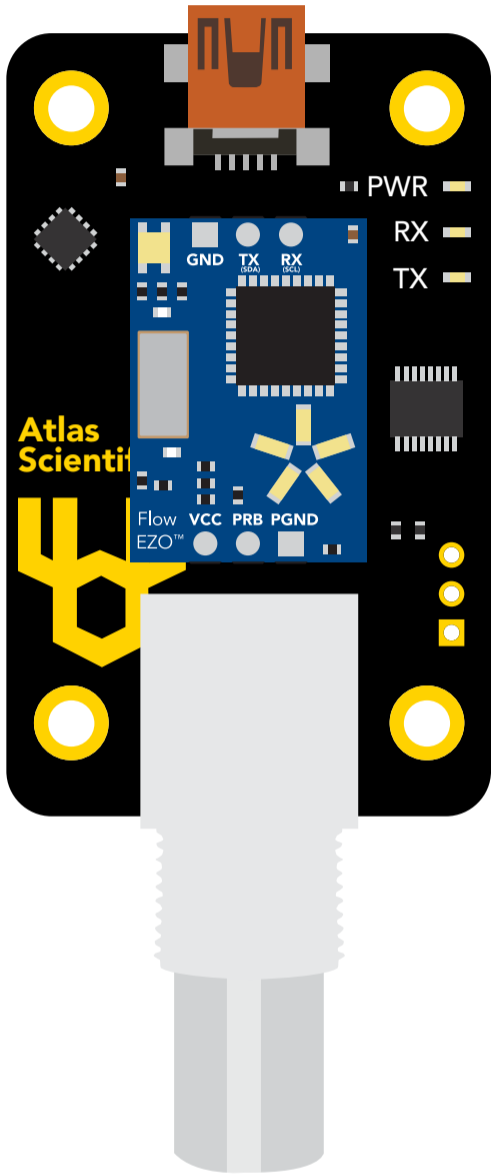


Screw

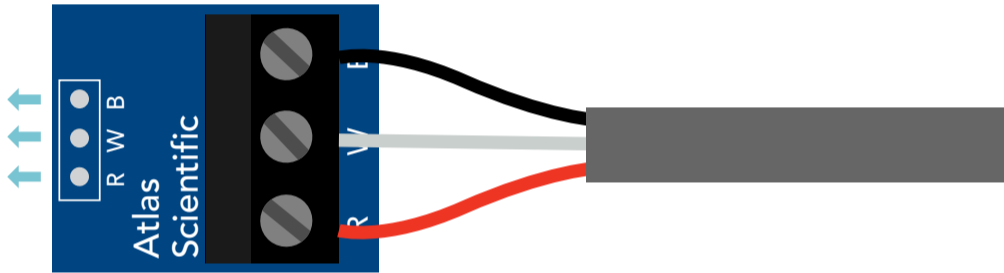




Proper setup for use with the EZO™ Universal Flow Meter Totalizer



Connect Flow breakout board
to the carrier board.



The Electrically Isolated USB EZO™ Carrier Board works with all EZO™ class devices.

The Electrically Isolated USB EZO™ Carrier Board does not come with EZO™ class devices.

