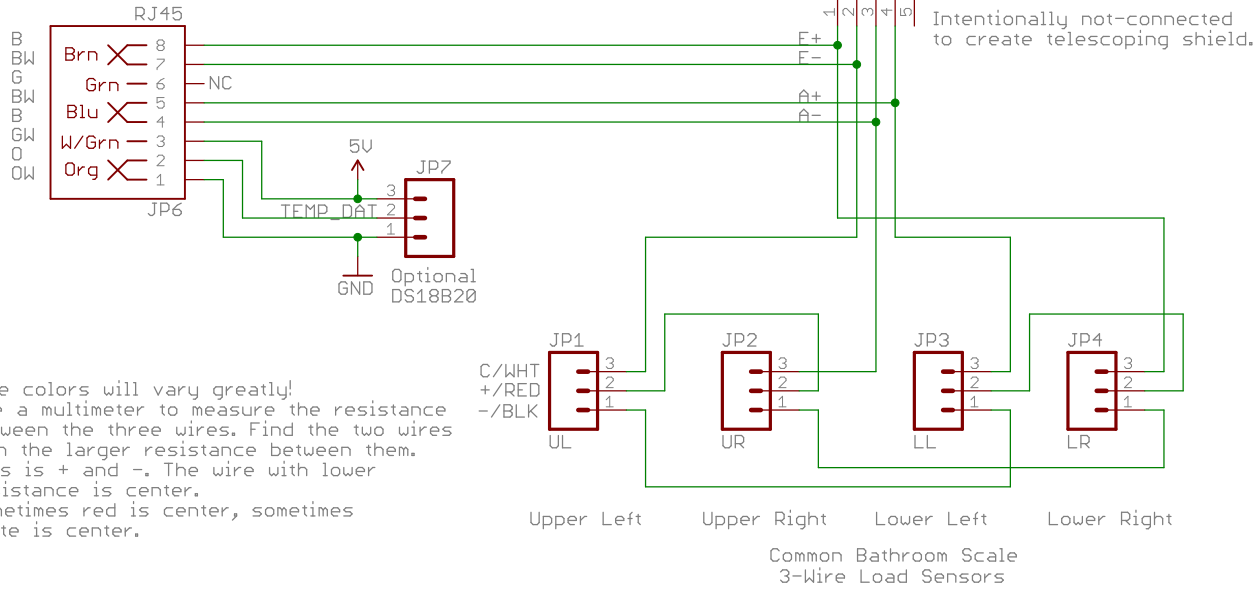


Connections to Amplifier

These colored pairs follow the T568B standard found in almost all ethernet cable



Wire colors will vary greatly!  
Use a multimeter to measure the resistance between the three wires. Find the two wires with the larger resistance between them. This is + and -. The wire with lower resistance is center.  
Sometimes red is center, sometimes white is center.

4 load sensors combine to create one load cell

Released under the Creative Commons Attribution Share-Alike 4.0 License <a href="https://creativecommons.org/licenses/by-sa/4.0/">https://creativecommons.org/licenses/by-sa/4.0/</a> ○○○○	
TITLE: SparkFun Load Sensor Combinator	
Design by: N. Seidle	REV: v10
Date: not saved!	Sheet: 1/1

