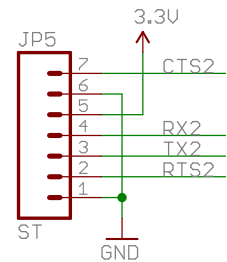
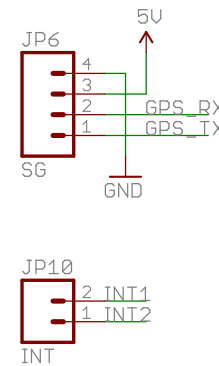
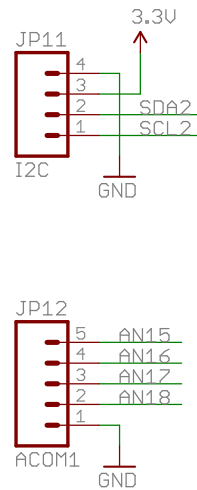
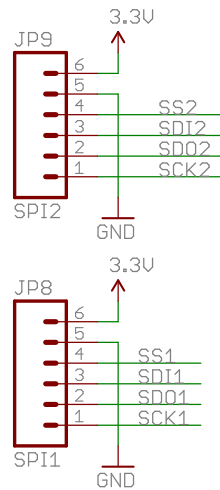
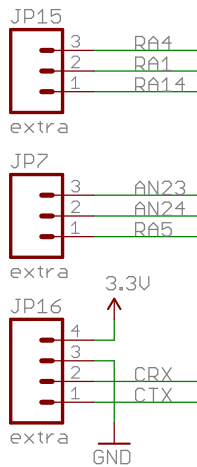
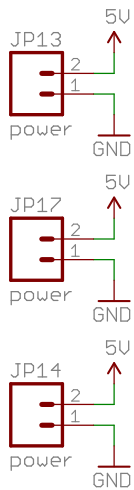
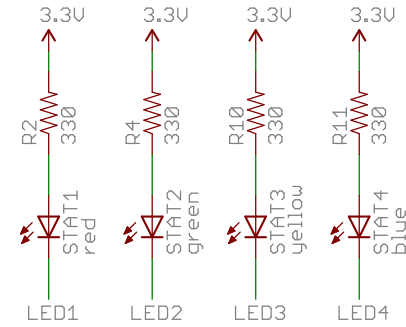
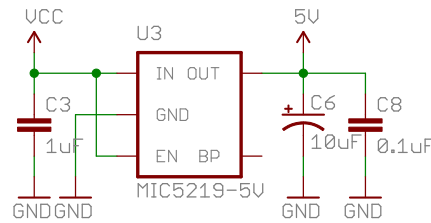
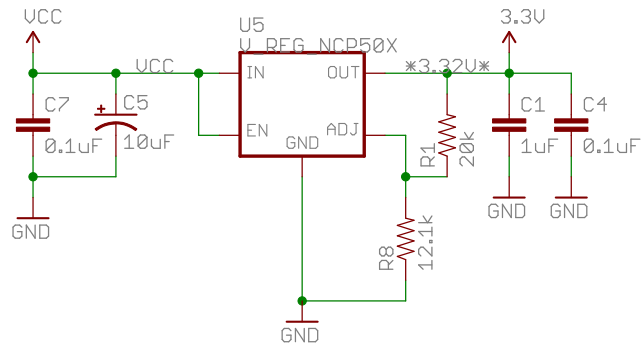


POWER, LEDs, & CONNECTORS



○ ○ ○ ○

SFE	SFE
-----	-----

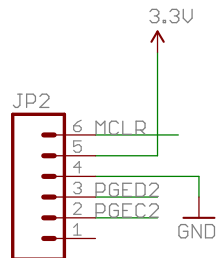
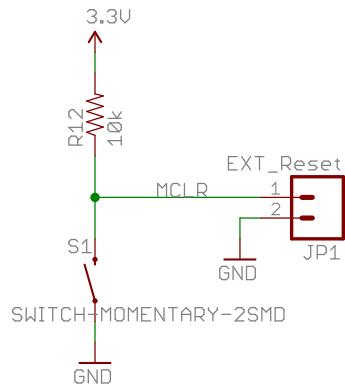
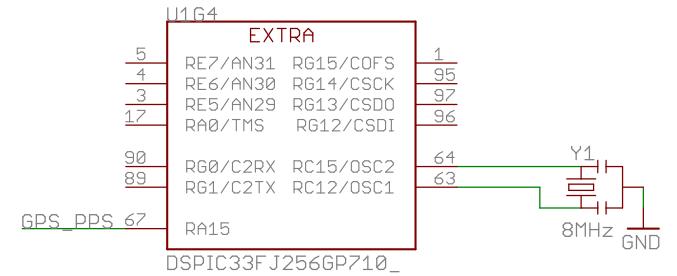
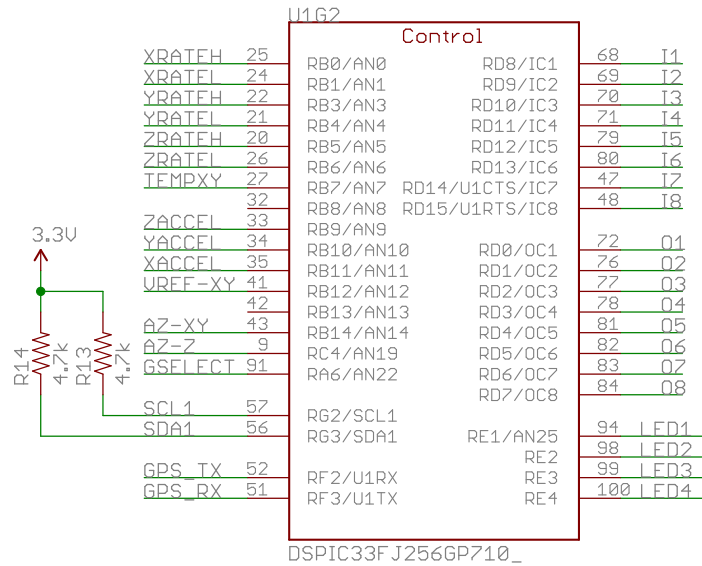
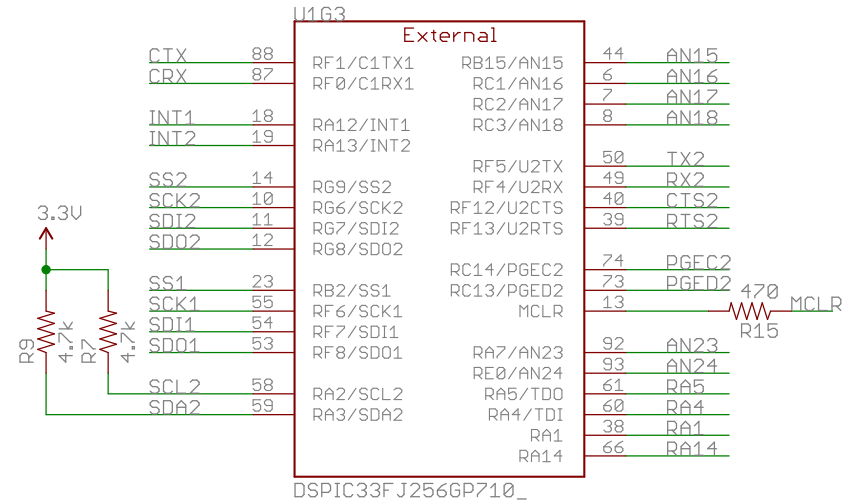
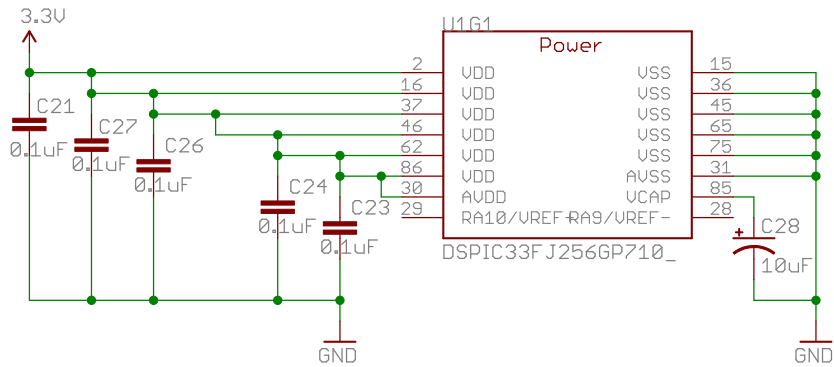
⊗	
⊗ UAV Development Board IV	
TITLE: UDB4-v14	
Document Number:	REV:
Date: 10/7/2011 3:53:37 PM	Sheet: 1/4



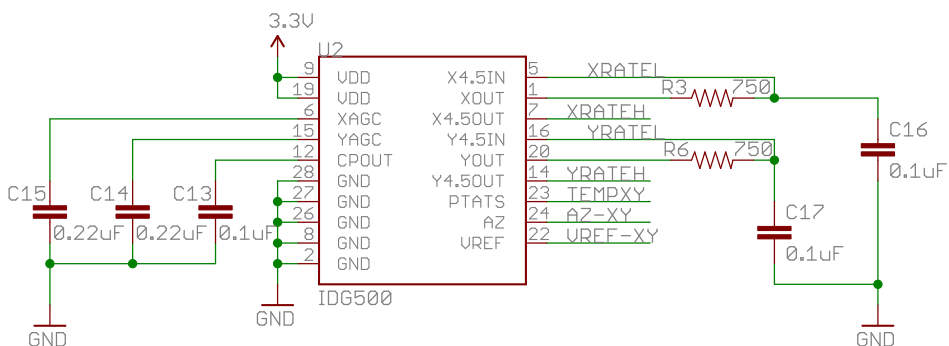
open hardware

Ben Levitt, Tom Posey, Aaron Weiss

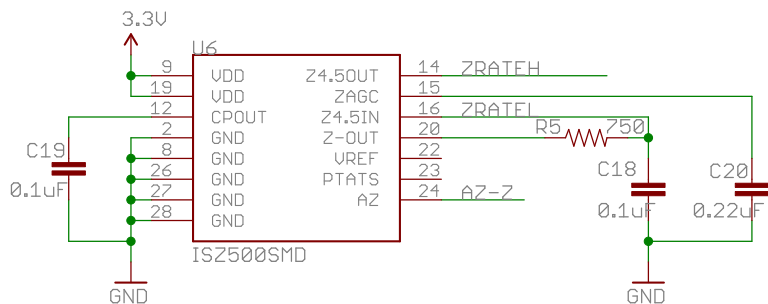
CPU



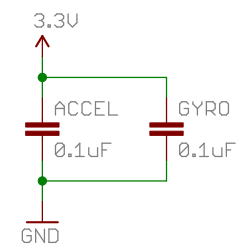
GYROS



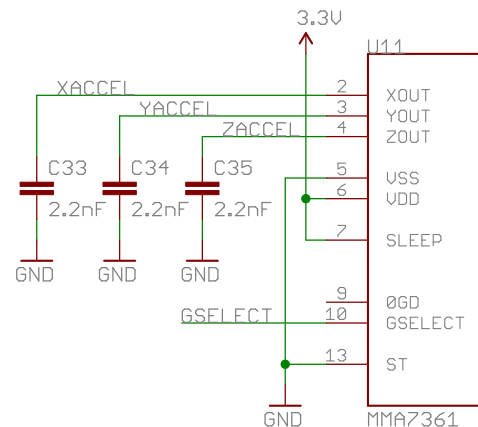
SENSORS & EEPROM



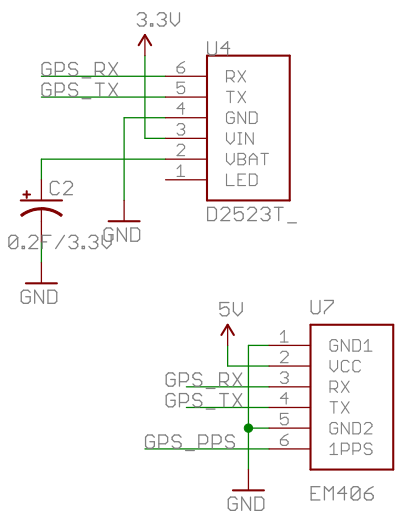
FILTERING



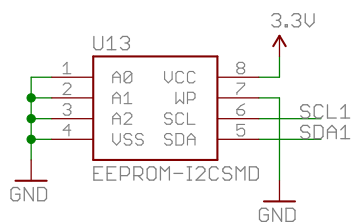
ACCELEROMETER



GPS



EEPROM



TITLE: UDB4-v14

Document Number:

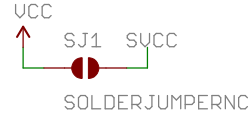
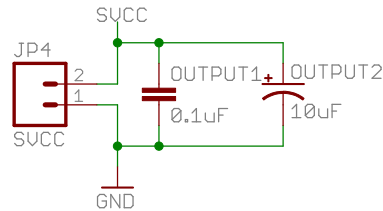
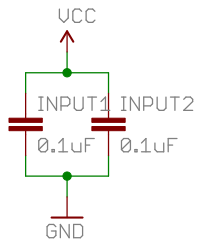
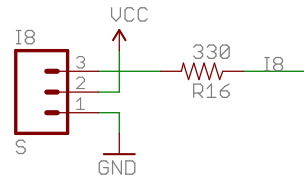
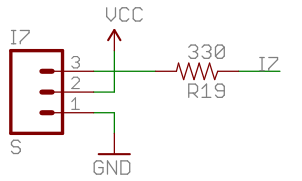
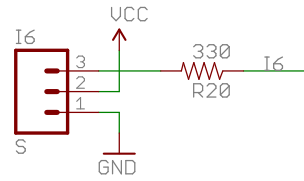
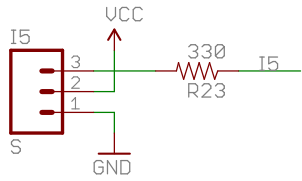
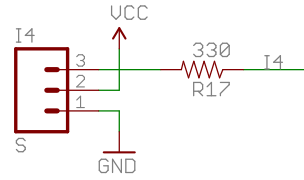
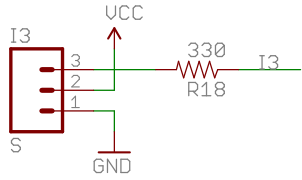
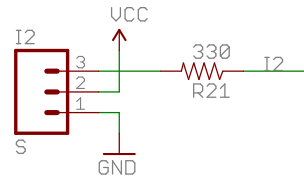
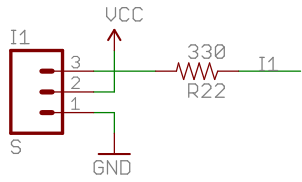
REV:

Date: 10/7/2011 3:53:37 PM

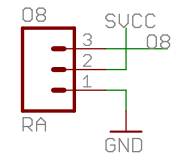
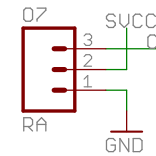
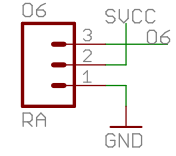
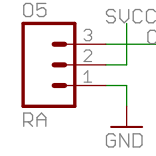
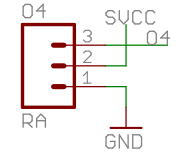
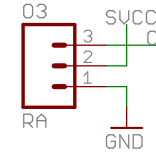
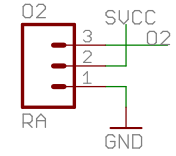
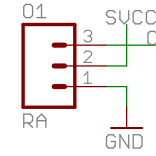
Sheet: 3/4

SERVO CHANNELS

INPUTS



OUTPUTS



TITLE: UDB4-v14

Document Number:

REV:

Date: 10/7/2011 3:53:37 PM

Sheet: 4/4