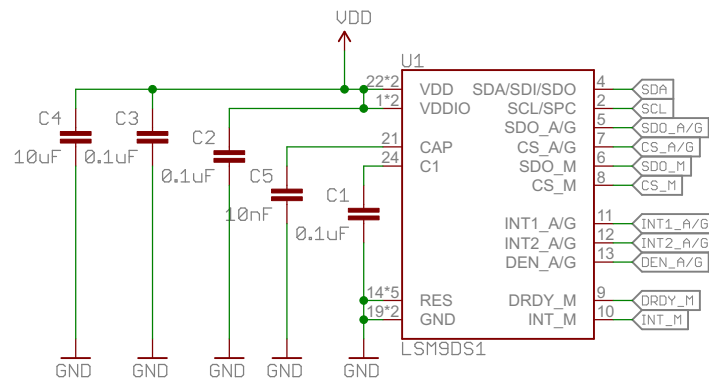


LSM9DS1

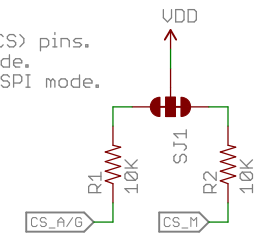


I2C Address Table Set the SDO_AG and SDO_M to set the accel/gryo and mag I2C addresses:

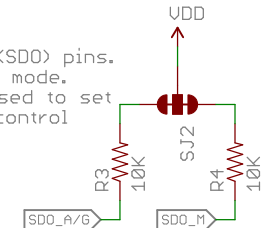
SDOM/AG	AG Addr.	M Addr.
0	0x6A	0x1C
1	0x6B	0x1E

Jumpers

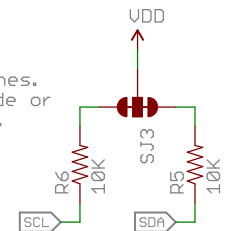
SJ1 pulls up the chip-select (CS) pins.
Closed: Sets LSM9DS1 to I2C mode.
Open: Allows for CS control in SPI mode.



SJ2 pulls up the serial data out (SDO) pins.
Closed: Sets I2C addresses in I2C mode.
Open: Floats SDO pins - can be used to set I2C address, or be used for SPI control

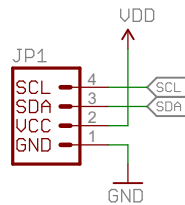


SJ3 pulls up the SCL and SDA pins.
Closed: Adds 10k pull-ups to I2C lines.
Open: Removes 10k pull-ups. SPI mode or external I2C pull-ups can be used.

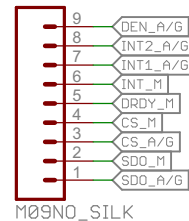


Headers

VDD Range: 1.9-3.6V



JP2



Released under the Creative Commons Attribution Share-Alike 4.0 License
<https://creativecommons.org/licenses/by-sa/4.0/>



TITLE: SparkFun-LSM9DS1-Breakout_v10

Design by: Jim Lindblom

REV:
v10

Date: 3/5/2015 3:55:14 PM

Sheet: 1/1