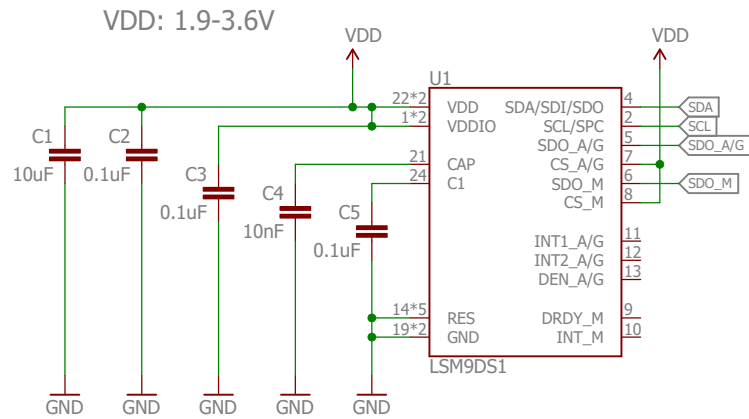


LSM9DS1



I2C Address Table

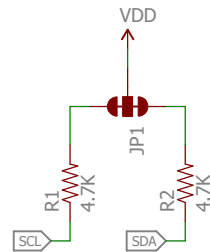
Set the SDO_AG and SDO_M to set the accel/gryo and mag I2C addresses:

SDOM/AG	AG Addr.	M Addr.
0	0x6A	0x1C
1	0x6B*	0x1E*

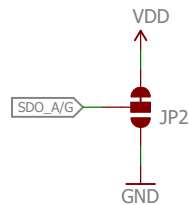
* Default address

Jumpers

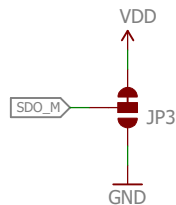
JP1 pulls the SDA and SCL data lines high through R1 and R2. To disable pull-up resistors, cut traces on both sides.



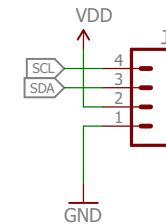
JP2 sets the I2C address for the accelerometer and gyroscope.



JP3 sets the I2C address for the magnetometer.



Header



Released under the Creative Commons

Attribution Share-Alike 4.0 License

<https://creativecommons.org/licenses/by-sa/4.0/>



TITLE: SparkFun_9DoF_Sensor_Stick_v21

Design by: Alex Wende

REV:
v21

Date: 8/11/2016 2:16 PM

Sheet: 1/1

