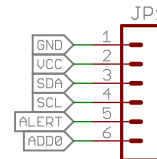
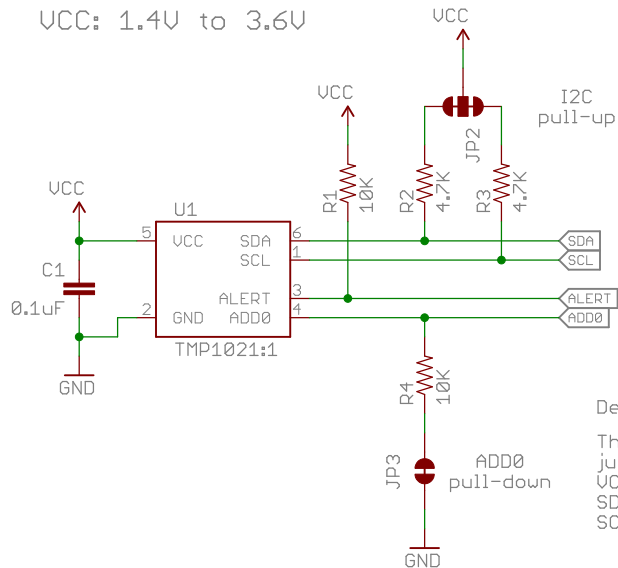


VCC: 1.4V to 3.6V



Default address : GND - 0x48

The address can be changed using an external jumper between ADDR and the following pins:

VCC - 0x49
SDA - 0x4A
SCL - 0x4B

Released under the Creative Commons

Attribution Share-Alike 4.0 License

<https://creativecommons.org/licenses/by-sa/4.0/>



TITLE: SparkFun_Digital_Temperature_Sensor_Breakout_-_TMP102

Design by: Kade Alexander Jensen

REV:
v13

Revision By: Alex Wende

Date: 2/2/2017 11:22 AM

Sheet: 1/1

