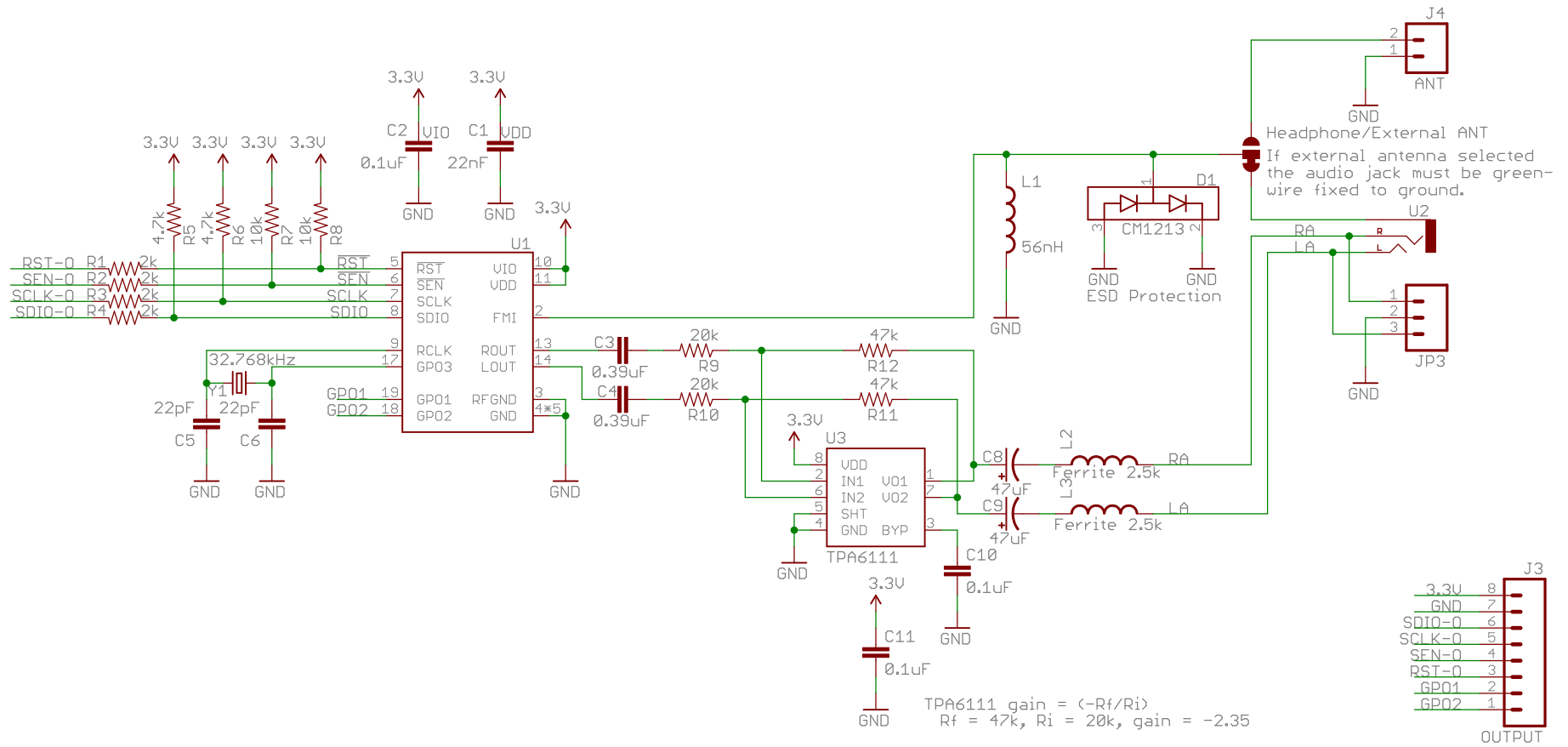


- VIO is tied to VCC, so max input voltage is 3.6V
- Control interface: to select an interface drive GPIO pins at reset
  - The Si4707 will default to 2-wire mode, GP01 = 1, GP02 = 0
  - For 3-wire, GP01 = GP02 = 0
  - For SPI, GP01 = GP02 = 1
- 2-wire address:
  - if SEN = 0, 0010001b
  - if SEN = 1, 1100011b
- WB antenna options:
  - Headphone antenna (works for nearby stations)
  - Whip antenna - QW antenna = ~ 46cm



Released under the Creative Commons Attribution Share-Alike 3.0 License <a href="http://creativecommons.org/licenses/by-sa/3.0">http://creativecommons.org/licenses/by-sa/3.0</a>		⊗	⊗
TITLE: SparkFun_Si4707_Breakout_v1.1	SFE	SFE	
Design by: Jim Lindblom Design heavily based on Si4703 Breakout Board by Nathan Seidle	REV: v1.1		
Date: 5/12/2015 10:45:16 AM	Sheet: 1/1		

